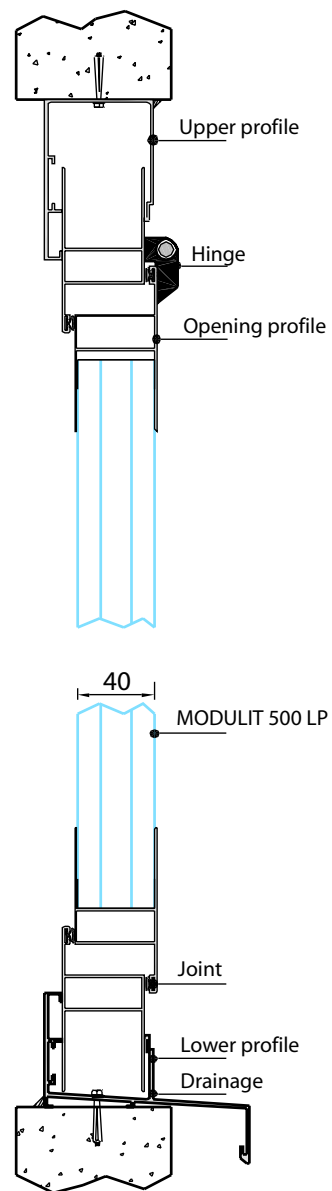
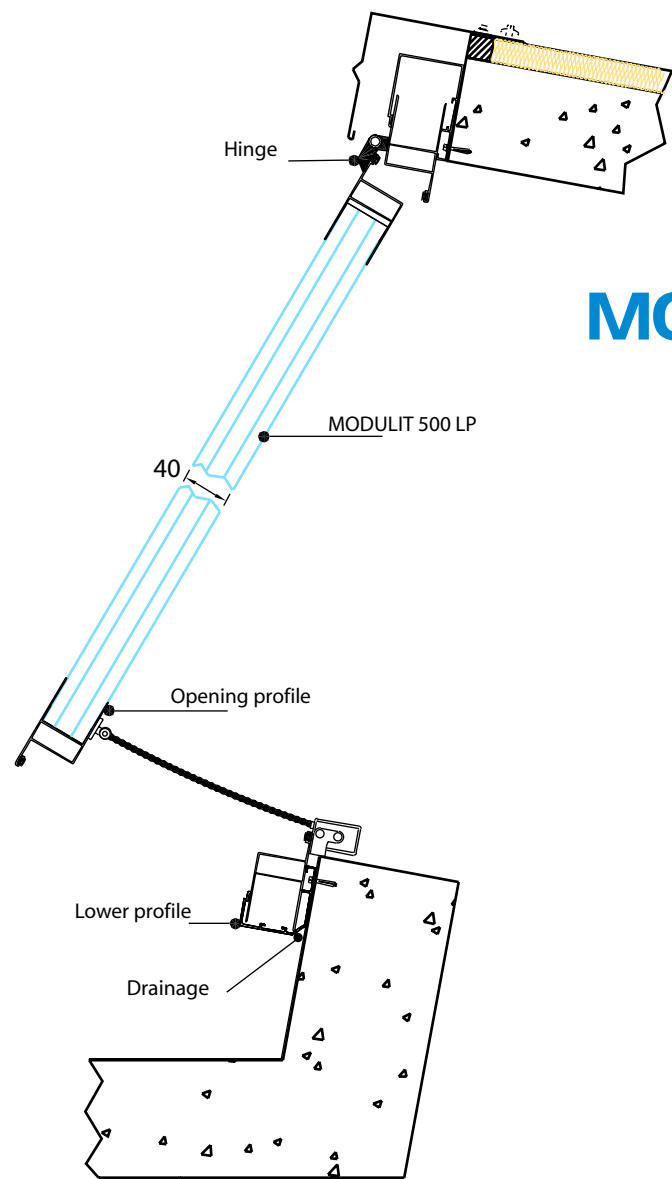


MODULIT 500 LP



Opening elements

It is possible to install opening elements for daily ventilation, which assures a perfect integration with the fix elements; these elements are supplied with a double waterproof joint and with an horizontally pivoted opening (with upper hinges). The opening elements can be supplied pre-assembled.

All the data reported in this literature can be changed by POLITEC SA at any time without obligation of notice. These data are the result of our best knowledge but they are a non-binding information and do not release Client to make own tests in order to check whether the products are suitable with the use they are planned for. The products having a weight lower than the standard reported herein are not covered by any guarantee.

DC08/03 Printed 09/2005

MODULIT 500 LP

Modular panel system of polycarbonate

NEW!

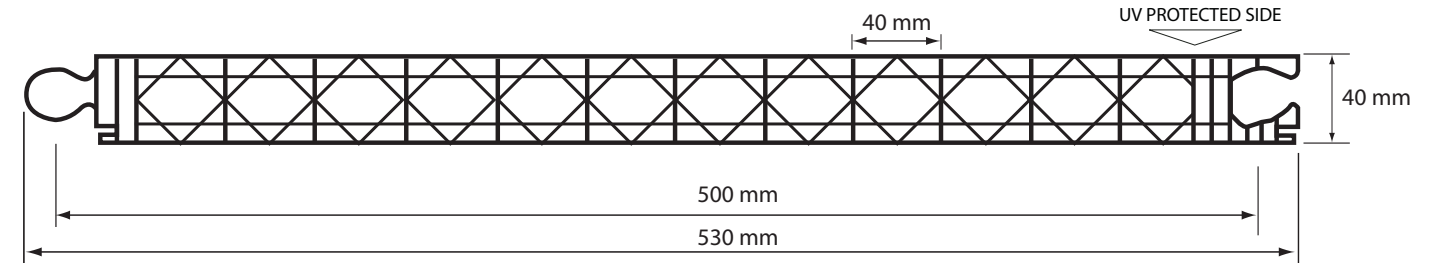
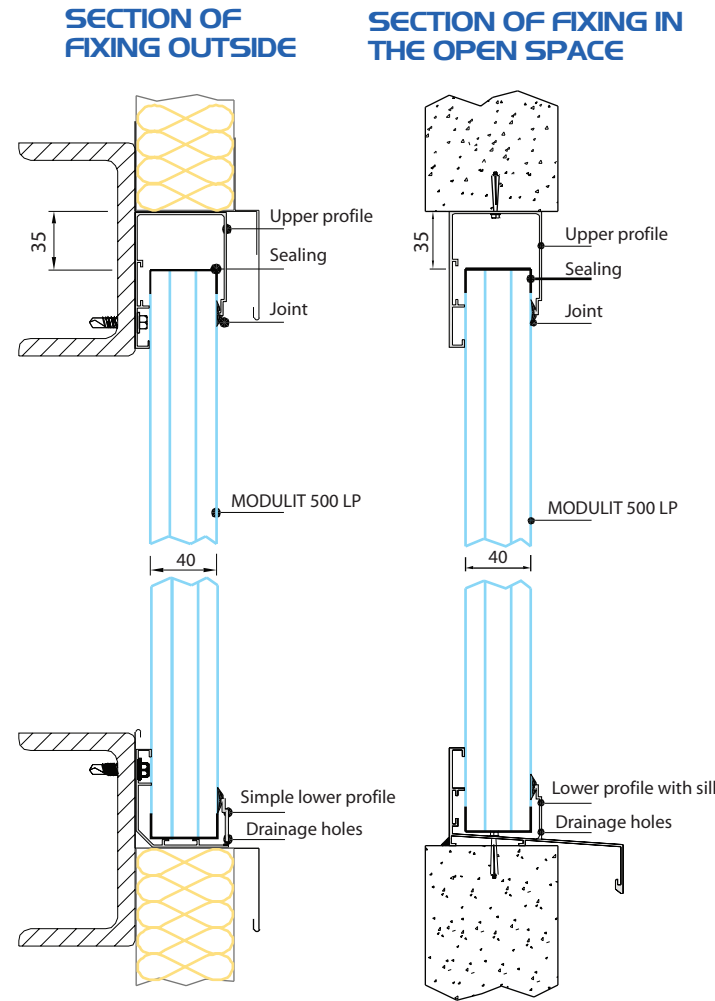


MODULIT 500 is a polycarbonate modular panel system with a co-extruded UV protection. Modulit system is mainly used for vertical or sloped glazing.

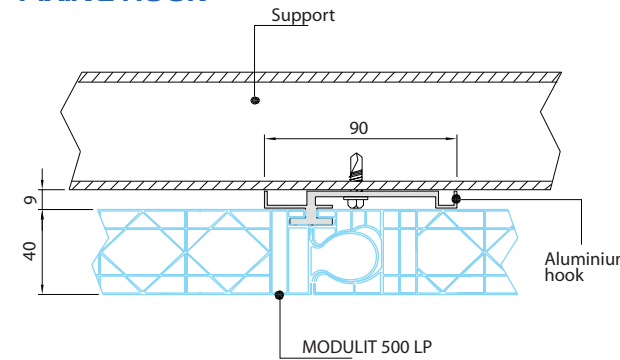
The high thickness of 40 mm and the internal structure with diagonal ribs combine excellent mechanical properties and thermal insulation which allows important energy and structure saving.

MODULIT 500 LP system is suitable for any transparent glazing application such as :

- industrial sheds and glazing
- sport halls windowing
- internal transparent partition walls.



SECTION OF INSTALLATION WITH FIXING HOOK



Use of fixing hooks

If necessary, owing to the glazing height or to the high load required, several intermediary supports must be installed and the fixing must be made with the aluminium fixing hooks. These hooks allow a solid fixing and do not prevent from polycarbonate panel thermal expansion.

TECHNICAL DATA

Thickness	40 mm		
Width	530 mm		
Module width	500 mm		
Rib distance	40 mm		
Length	standard 6000 mm or upon request		
Maximum length	13500 mm (limited to the standard transport length)		
Weight	4.0 Kg/m ²		
Thermal insulation	1,46 W/m ² °K (1,26 kcal/h m ² °C)		
Colours	LT	Vaur G	
	Clear (8005)	68%	61%
	Opal (8121)	47%	44%
UV Protection	coextruded on the external side (UV protected on both sides upon request)		
Warranty	10 years against yellowing, hail and light transmission		
Temperature of use	-30°C +120°C		
Sound insulation	23 dB		
Thermal expansion coefficient	0.065 mm/m °C (6.5×10 ⁻⁵ 1/°K)		
Fire Behaviour	Available on demand		



ALLOWED LOADS

● **Installation on two supports**

Load (N/m ²)	Maximum height corresponding to:		
	Breaking	Defl. 1/50	Defl. 1/100
500	2750 mm	1900 mm	1500 mm
1000	2250 mm	1500 mm	1200 mm
1500	2000 mm	1300 mm	1100 mm
2000	1750 mm	1200 mm	950 mm
2500	1600 mm	1100 mm	850 mm

● **Installation on several supports (with aluminium fixing hooks)**

Load (N/m ²)	Resistance table for uniformly distributed loads					
	Max. distance between the supports: Pressure loads			Max. distance between the supports: Suction loads		
	Breaking	Defl. 1/50	Defl. 1/100	Breaking	Defl. 1/100	
500	4000 mm	2650 mm	1800 mm	2300 mm	1850 mm	
1000	2900 mm	1750 mm	1400 mm	1200 mm	--	
1500	2350 mm	1400 mm	1200 mm	800 mm	--	
2000	2000 mm	1200 mm	1100 mm	--	--	
2500	1800 mm	1100 mm	1000 mm	--	--	

The loads tables are referring to the resistance loads of Modulit 500 LP system installed with the standard accessories and according to our technical instruction. In case of particular applications (angles of installations over 10 meters height) higher security coefficients must be used and determined according to the norms in force in the country.